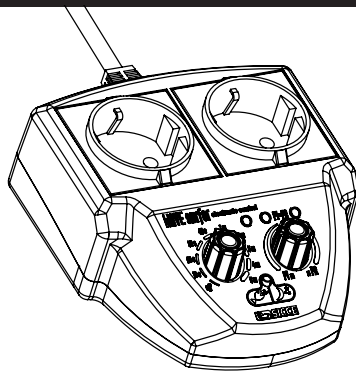


Wave Surfer



EN
INSTRUCTIONS

D
ANLEITUNGEN

I
ISTRUZIONI

F
INSTRUCTIONS

E
INSTRUCCIONES

P
INSTRUÇÕES

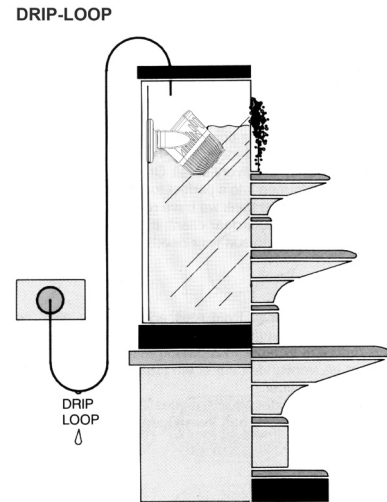
NL
INSTRUCTIES

RU
инструкции

 **SICCE**

IMPORTANT

EN - The device cannot be put into water.
 D - Das Gerät ist nicht wasserfest.
 F - L'appareil ne peut pas être plongé dans l'eau.
 IT - Non immergere l'apparecchio in acqua.
 ES - El aparato no es sumergible en agua.
 P - O aparelho não é submergível na água.
 RU - Прибор не работает под водой.
 NL - Het apparaat kan in het water zinken.



Tab. 1

Left knob (Fig. 3)	Right knob (Fig. 4)				
	P1 = P2	P1 P2		P1 P2	
		P1	P2	P1	P2
OFF	-	-	-	-	-
10"	5" - 5"	8"	2"	2"	8"
20"	10" - 10"	16"	4"	4"	16"
"	"	"	"	"	"
"	"	"	"	"	"
3 min.	90" - 90"	144"	36"	36"	144"
4 min.	120" - 120"	192"	48"	48"	192"
5 min.	150" - 150"	240"	60"	60"	240"

Fig. 2

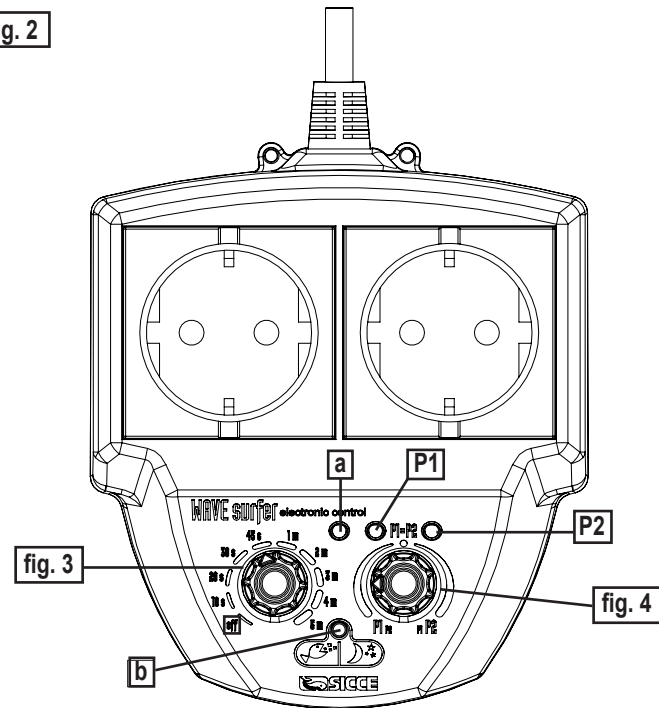


Fig. 3

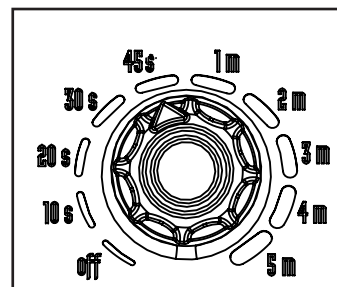
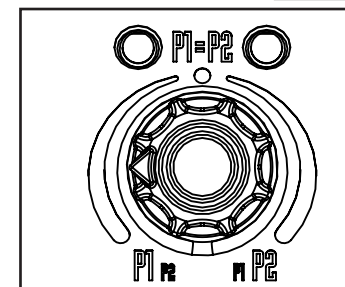


Fig. 4



EN

Dear customer, thanks for choosing **Wave Surfer**, the new SICCE product, designed to simulate the natural movement of the sea in the marine aquariums.

IMPORTANT: Before use, please carefully read the following instructions to enable the operational characteristics of this device at their best. Please save these instructions.

IMPORTANT SAFETY INSTRUCTIONS

- **WARNING:** ALWAYS disconnect all immersed electric devices before proceeding with maintenance operations or putting your hands into the water; turn off the mains switch before disconnecting the plug in case the plug, socket or power cable are wet.
- Check that the voltage and the frequency on the technical data label are the same as the voltage and the frequency of your mains supply.
- Before supplying power to the product, verify that it is undamaged and that the power cable and plug are intact.
- If the unit shows any kind of abnormal behaviour, immediately disconnect it from the mains power supply.
- The power cable of this product cannot be replaced or repaired; in case of damage, replace the entire unit.
- This product is designed for indoor use only, and has an IP20 protection rating; it should not be turned on unless you have ensured that the unit is completely dry.
- Never put the device in the water and place it somewhere where it CANNOT fall into the water or have contact with water.
- This unit is non-submersible. To avoid the possible risk of electric shock place the unit in a dry place safe from splashing, moisture and salt creep, where it can't accidentally fall into water. The unit can be anchored to a wall with 2 screws (not included).
- This unit is non-submersible. To avoid the possible risk of electric shock place the unit in a dry place safe from splashing, moisture and salt creep, where it can't accidentally fall into water. The unit can be anchored to a wall with 2 screws (not included).
- This product is designed for aquarium use only. Use in other applications may damage its components, voiding the warranty immediately.
- We recommend using this product with SICCE Voyager pumps. In all other cases, do not attach devices with power higher than 100W - 1.5 Amp to the power sockets on top of the unit.
- This unit cannot be used by children unless they are under the supervision of a responsible person, to ensure they can use the device safely.
- To disconnect a pump, do not pull the cable, hold both plug and unit firmly and remove plug with care.
- To avoid water accidentally dripping onto the socket or the plug, curve the cable in a drip loop, below the socket level ("DRIP LOOP").
- It is preferable to avoid the use of extensions for the cable. If an extension cable is necessary, it should be of the correct rating, equivalent to the one provided with the product. We recommend contacting a qualified technician for installation and connection.
- We recommend the unit be supplied through a RCD (Residual Current Device) with a nominal residual current no higher than 30mA.
- The product does not need special maintenance, it is sufficient to remove regularly the dust or the dirt sediments from the product and its surroundings.

INSTALLATION

WARNING: disconnect all the electric devices from the mains supply before putting your hands into the water. Before switching the product on, check that it is undamaged and that the power cable and plug are intact.

- 1 Remove the product from the box and completely unwind the power cable.

- 2 Place the unit in a dry place where it can't accidentally fall or anchor it to the wall with 2 screws (NOT INCLUDED) - **N.B. The device cannot be put into water.**
- 3 Place 1 or 2 pumps inside the tank.
- 4 Connect each pump to the **Wave Surfer's** socket/s respectively.
- 5 Check that the left knob (fig. 3) is set on "off".
- 6 Connect the unit to the mains power supply. Activate time-cycle with the left knob (fig. 3): a green light (fig. 2/a) will show that the unit is operating and two blue lights (P1 and P2) will show which pump is functioning.
- 7 Rotate the left knob (fig. 3) to set the required time-cycle.
- 8 Rotate the right knob (fig. 4) to set the distribution on each channel (refer to the examples in Table 1).

EXTRA FUNCTIONS:

FISH FOOD - TIME SETTING (1 CLIC)

This special function is useful for the administration of food and medicines: with a single click of the dedicate button (fig. 2/b) both channels, P1 and P2 (and their LEDs P1 and P2) will deactivate for a pre-set duration of **4 MINUTES** in order to stabilise the movement of water and allow a correct absorption of the food, especially to the invertebrates.

Customise the duration of the "Fish Food" function - Proceed as follows:

- 1 Keep the FISH FOOD button pressed for 7 seconds until both P1 and P2 LED's flash simultaneously.
- 2 Set the left knob on the preferred time.
- 3 Press the (b) button to confirm.

The last setting of the Fish Food mode is memorised and it will repeat every 24 hours.

To manually deactivate this function "CLIC" the same button again during Fish Food mode to cancel it and it will repeat the next day only. In case you want to completely deactivate it, just press the button for about 2 seconds during this mode, in case it is not active, it is sufficient to access the control and deactivate as described previously. The green LED will flash to indicate that the repetition was cancelled. At the next activation, the command will be repeated again.

In case of a power cut or if the product is disconnected from the mains during operation, the timer resets. When the power supply is restored, Fish Food mode will start directly with the time set. In case of personalisation of the Fish Food mode this remains memorised, but it will be necessary to re-set the command to the preferred time.

NIGHT MODE - TIME SETTING (2 sec. PRESS)

This function reduces water movement **for 8 hours overnight**. Hold down the dedicated button (fig. 2/b) for about 2 SECONDS, the central LED (fig. 2/a) will start flashing to indicate the mode was successfully set. This will deactivate the cycling of P2 for 8 HOURS (fixed time, not customizable) then P2 will re-start the regular time-cycle.

The last setting of the Night mode is memorised and will be repeated every 24 hours.

To temporarily deactivate this function, "CLIC" the button during night mode. It will start again the next day. To completely deactivate it, press the button for about 2 seconds during night mode, the green LED will flash to communicate that the mode was cancelled successfully.

In case of a power cut or if the product is disconnected from the mains during operation, the internal timer resets. When the supply is restored, the night mode will start automatically; it will be necessary to exit this mode and re-program it to the preferred settings.

In case the product is turned OFF with the knob, the internal timer keeps working and keeps the night mode memorised.

NOTE: this function only works if only two pumps are connected.

MAINTENANCE

The product does not need special maintenance. However we recommend keeping the surface of the unit (and its surroundings) clean from dust and to periodically check that there are no limestone or dirt deposits. To clean the unit, first disconnect it from the mains, and then clean thoroughly with a soft toothbrush.

INSTRUCTIONS FOR THE CORRECT DISCHARGE OF THE PRODUCT ACCORDING TO EU DIRECTIVE 2002/96/EC

When used or broken, the product does not have to be discharged with the other waste. It can be delivered to the specific electric waste collection centers or to dealers who give this service. Discharge separately an electric tool avoid negative consequences for the environment and for the Health and allows to regenerate the materials so to have a great saving of energy and resources.

WARRANTY

This product is guaranteed against defects of materials and workmanship for a period of 2 years from the date of purchase. The warranty certificate must be filled in by the dealer and must accompany the product if it is returned for reparation, along with the cash register receipt or similar document. The warranty covers the replacement of the defective parts. In case of improper use, tampering or negligence by the buyer or user, the guarantee is void and expires immediately. The guarantee is also void in absence of the cash register receipt or similar document. The expenses for shipping the pump to and from the factory, or the repair station, have to be paid by the buyer.

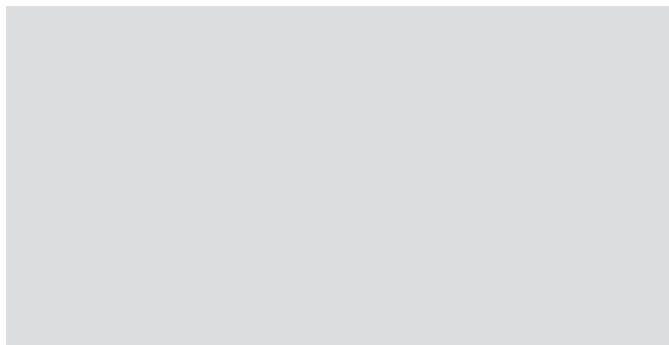
D Sehr geehrte Kundin, sehr geehrter Kunde, vielen Dank, dass Sie sich für **Wave Surfer** entschieden haben, das neue Produkt von SICCE, das die natürliche Bewegung des Meeres im Riffaquarium simuliert.

WICHTIG: Vor der Verwendung lesen Sie bitte diese Gebrauchshinweise aufmerksam durch, um die Funktionen des Geräts bestmöglich nutzen zu können. Bitte bewahren Sie diese Anleitung auf.

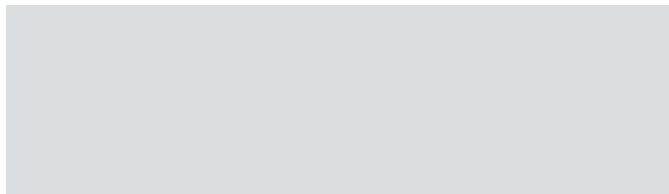
SICHERHEITSHINWEISE:

- **ACHTUNG:** Schalten Sie **IMMER** alle elektrischen Geräte unter Wasser aus, bevor Sie Wartungsarbeiten durchführen oder die Hände ins Wasser halten; falls die Steckdose oder das Kabel sich unter Wasser befinden, unterbrechen Sie die allgemeine Stromzufuhr, bevor Sie den Stecker ausstecken.
- Kontrollieren Sie, dass die auf dem Etikett mit den technischen Daten angegebene Spannung und Frequenz mit dem Stromnetz übereinstimmen.
- Bevor sie das Gerät anschließen, stellen Sie sicher, dass alle Einzelteile vollständig vorhanden sind, insbesondere das Stromkabel und der dazugehörige Stecker.
- Falls das Gerät irgend ein Zeichen eines unnormalen Betriebs aufweist, unterbrechen Sie sofort die Stromverbindung.
- Das Stromkabel des Geräts kann weder ersetzt noch repariert werden; falls es beschädigt wird, muss das gesamte Gerät ersetzt werden.
- Das Gerät ist für den internen Gebrauch mit einem Schutzgrad von IP20 bestimmt, daher darf es nur in Gebrauch genommen werden, nachdem sichergestellt wurde, dass sich kein Wasser und/oder keine Feuchtigkeit auf der gesamten Oberfläche befindet.
- Tauchen Sie das Gerät niemals in Wasser und stellen Sie es so auf, dass es nicht in Wasser fallen oder mit Wasser in Kontakt kommen kann.
- Stellen Sie das Gerät an einem trockenen Ort auf, so dass es vor Spritzern, Feuchtigkeit und Salzdämpfen geschützt ist, um seine Funktionsweise nicht zu gefährden und mögliche Risiken eines Elektroschocks zu vermeiden.
- Das Gerät ist nur zum Gebrauch im Aquarium bestimmt. Jede andere Verwendung kann die Komponenten beschädigen und schließt mit sofortiger Wirkung die Garantie aus.
- Wir empfehlen Ihnen, das Gerät in Verbindung mit den Bewegungspumpen SICCE **Voyager** zu verwenden. Anderenfalls stecken Sie bitte keine Geräte mit einem Verbrauch von über 100W-1,5 A pro Stecker in die Stecker auf der Oberseite.
- Das Gerät ist nicht für den Gebrauch durch Kinder oder behinderte Menschen geeignet, falls diese nicht von einer verantwortlichen Person überwacht werden, um eine sichere Nutzung der Apparatur zu gewährleisten.
- Um einen Stecker auszustecken, ziehen Sie nicht am Kabel, sondern halten Sie das Gerät fest und ziehen Sie den Stecker vorsichtig heraus.
- Um ein unbeabsichtigtes Herabtropfen von Wasser auf die Steckdose oder den Stecker zu vermeiden, bilden Sie unterhalb der Höhe der Steckdose eine Kabelschlinge („DRIP LOOP“).
- Verwenden Sie vorzugsweise keine Verlängerungskabel. Kontaktieren Sie erforderlichenfalls einen fachkundigen Installateur, um überprüfen zu lassen, dass das Kabel mit dem des Geräts übereinstimmt. Um das Kabel anzuschließen, wenden Sie sich bitte ebenfalls an einen fachkundigen Installateur.
- Das Gerät wird mittels eines Fehlerstromschutzschalters (RCD) mit einer nominalen Restspannung von maximal 30mA versorgt.
- Das Gerät erfordert keine besondere Wartung. Es reicht aus, gelegentlich den Staub oder Schmutzablagerungen vom Gerät und seinem Aufstellort zu entfernen.

WARRANTY - GARANTIE - GARANZIA - GARANTIA - GARANTIED
GARANTIA - GARANTI - ГАРАНТИЯ



SEAL AND SIGNATURE OF RESALE DEALER - STEMPEL UND UNTERSCHRIFT DES VERKÄUFERS
CACHET ET SIGNATURE DU REVENDEUR - TIMBRO E FIRMA DEL RIVENDITORE
SELLO Y FIRMA DEL REVENDEDOR - STEMPEL EN HANDTEKENING VAN DE DEALER
CARIMBO E ASSINATURA DO REVENDEDOR - УПЛОТНЕНИЕ И ПОДПИСЬ МАГАЗИНА



DATE OF PURCHASE - VERKAUFSDATUM - DATE DE VENTE - DATA DI VENDITA
FECHA DE VENTA - DATUM VAN AANKOOP - DATA DE VENDA - ДАТА ПОКУПКИ

SICCE S.p.A.
Via V. Emanuele, 115
36050 Pozzoleone - Vicenza - ITALY
infosicce.com - www.sicce.com

80N245/A